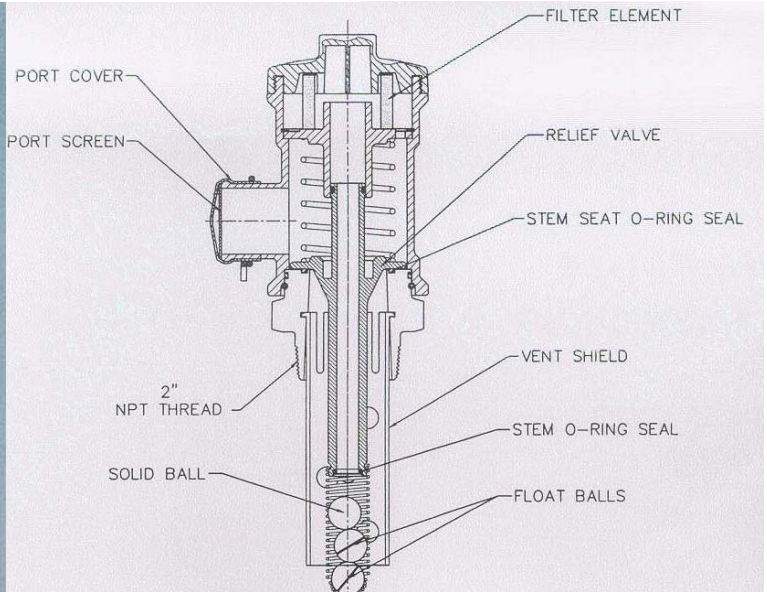


Wiggins Tank Vents

Eastern Petroleum Supplies Ltd
 New House Farm, Maldon Road
 Steeple, UK CM0 7RR

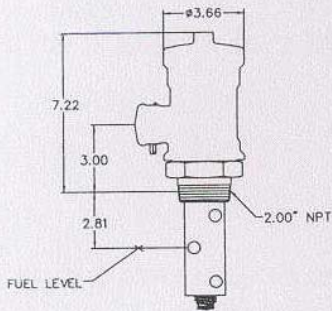
Tel + 44 (0) 1621 773292
 Fax + 44 (0) 1621 772353
 E-Mail info@easternsupplies.co.uk
 Web www.easternsupplies.co.uk

ZV-13 Filtered Vent

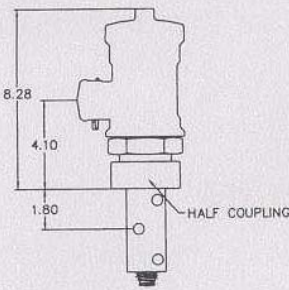


Contaminated fuels are one of the biggest challenges to diesel vehicle operation today. Dirt in the fuel injectors can keep machines out of service. The ZV-13 filtered vent assures that any air entering the fuel tank has been filtered to 100 microns, eliminating a major cause of fuel contamination.

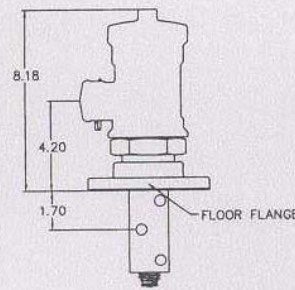
Standard Filter/Vents



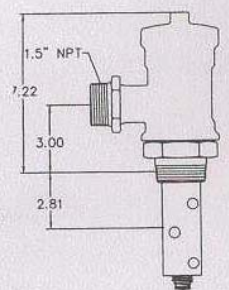
ZV13



ZV13A

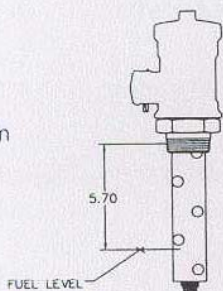


ZV13B

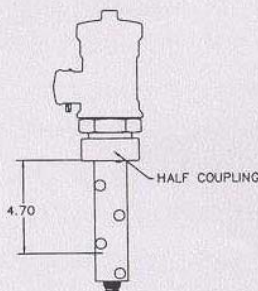


ZV13C

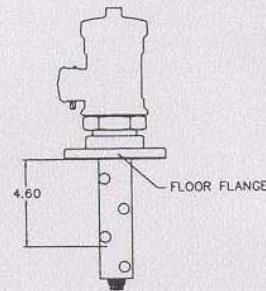
Extended Stem Filter/Vents



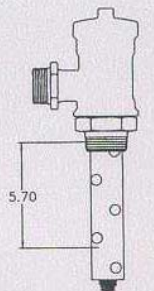
ZV13F



ZV13AF

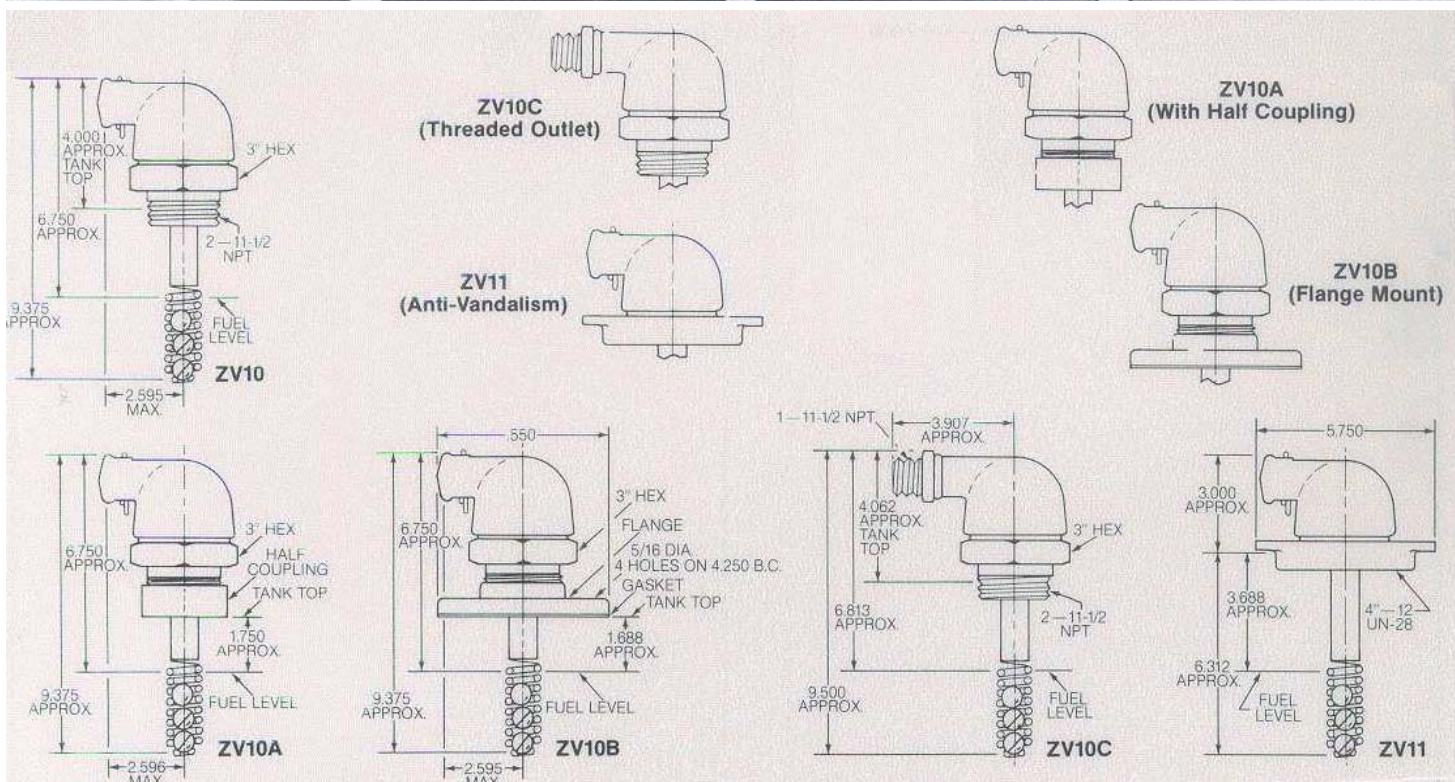
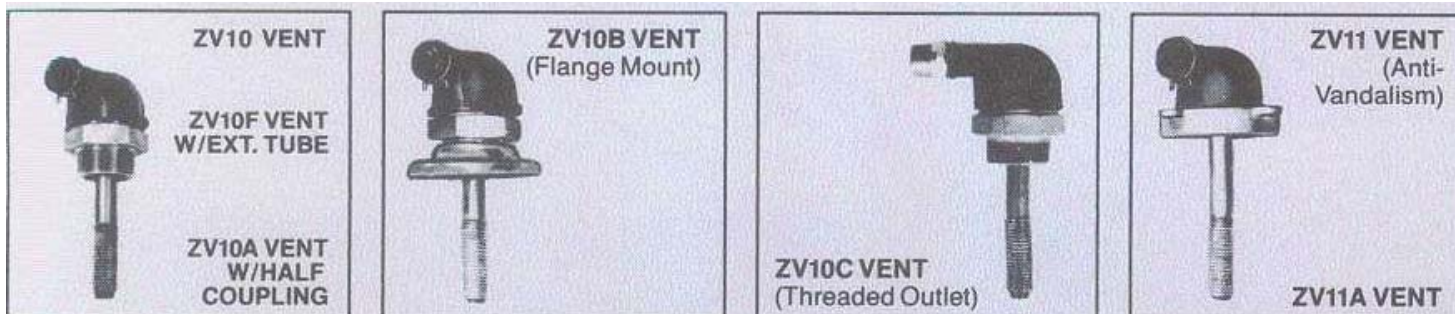


ZV13BF



ZV13CF

ZV-10 AND ZV-11 STANDARD TANK VENTS



Vent Model	Mounting Style	Length	Pressure Relief	Rebuild Kit Number
ZV10	Pipe Thread	9.375"	10.2 – 12.9 psi	K30285
ZV10A	Welded Half-Coupling	9.375"	10.2 – 12.9 psi	K30285
ZV10B	Flange/Gasket	9.375"	10.2 – 12.9 psi	K30285
ZV10C	Same as ZV10 w/ threaded outlet	9.500"	10.2 – 12.9 psi	K30285
ZV10F	Same as ZV10 w/long Stem	12.500"	10.2 – 12.9 psi	K30285
ZV11	Gas Cap Mount	9.312"	10.2 – 12.9 psi	K30285
ZV11A	Gas Cap Mount w/long Stem	12.500"	10.2 – 12.9 psi	K30285
ZV13	Vented Pipe thread	12.00"	10.4 – 11.3 psi	N/A
ZV13F	Long Stem	14.70"	10.4 – 11.3 psi	N/A