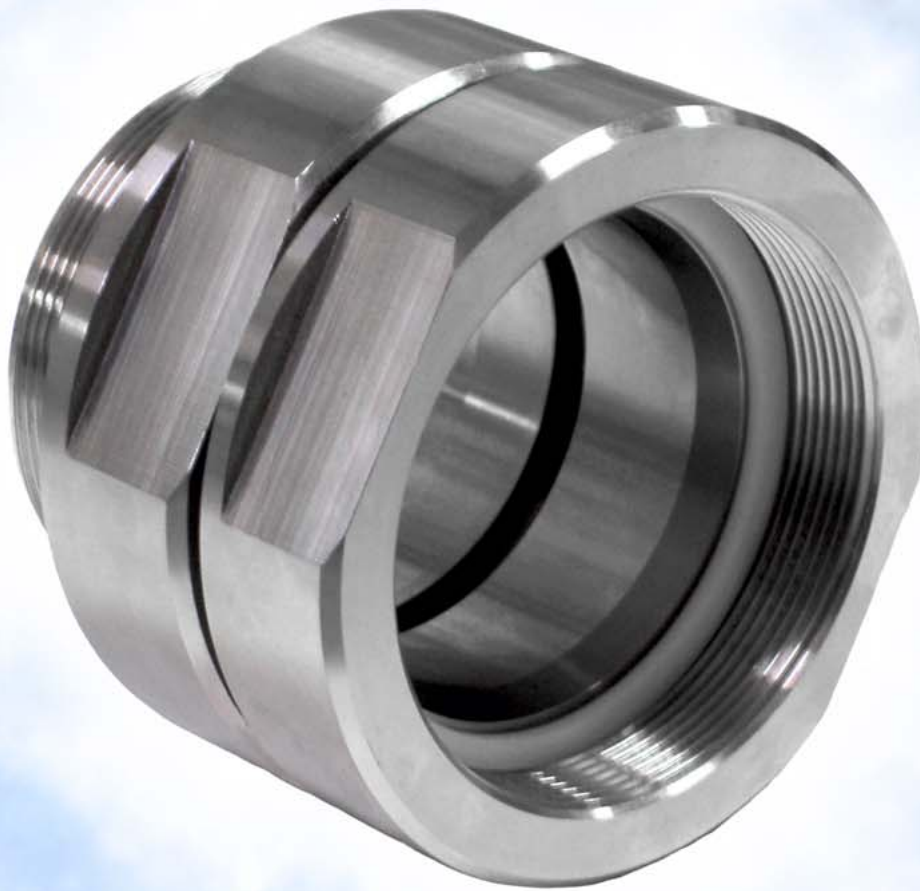


# Swivels



- High flow rate/low pressure drop
- Full range of sizes, materials and connections
- Low maintenance
- Stainless Steel bearings and single "O"-ring seal for reliability





## Technical specification

**Size threads:**  
3/4" to 4".

**Connections:**  
BSP - ISO 228, NPT - ANSI B1.20.3

**Standard Materials:**  
Aluminium, Gunmetall/Brass,  
Stainless Steel AISI 316,  
other on request.

**Sealing material:**  
FPM (Viton®), CHEMRAZ®,  
Kalrez®, other on request.

**Flat seal for Female threads BSP:**  
PTFE (Teflon®), PUR (Vullkolan).

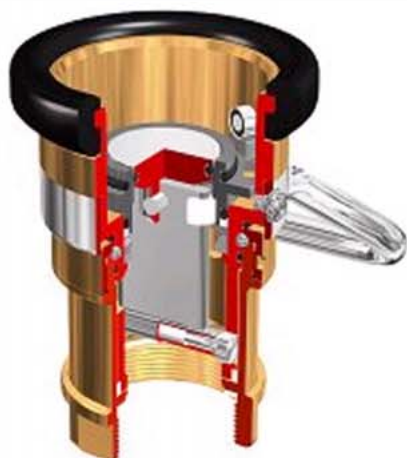
**Working pressure:** PN 10 - 25 bar

**Test pressure:** PN 15 - 40 bar

**Minimum burst pressure:** PN 50 - 125 bar

## Selection of applications

Used everywhere a free hose movement without imparting torque stresses to the assembly, is needed. (Avoiding one of the biggest causes of premature hose failure).



### DDCoupling@

Dry Disconnect Coupling.  
3/4" to 4", PN 10 - PN 25.  
Material: Aluminium, Brass-Gunmetal,  
Stainless Steel and PEEK.  
Other materials on request.  
According to NATO standard  
STANAG 3756.

---



### Break away, breaking pins

Aluminium, Brass, Stainless Steel, PN 16.  
1½" to 4", female threads,  
with breaking pins.

---



### Break away, cable release

Stainless Steel, PN25.  
1½" to 4", female threads.  
6" to 8", flanged connection.

---



### Swivel joints

3/4" to 4", PN 10 - PN 25.  
Materials: Aluminium, Brass-Gunmetall,  
Stainless Steel.  
Other materials on request.  
Connection: BSP, NPT.

---



### Full Flow - Ballvalves

2" to 4", PN 10, Aluminium.  
Ballvalve and 2-way Ballvalve.  
Made for Petroleum Tank Trucks.  
Variations of flange connections.