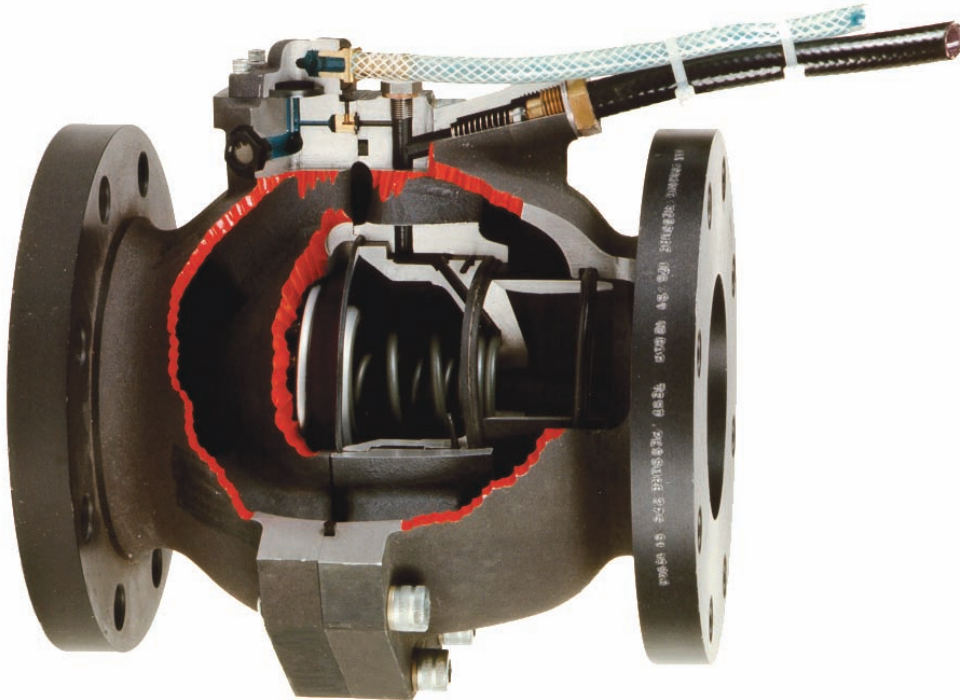


PRODUCTS - Control Valves

CCMY8600M2 FOUR-INCH INLINE PRESSURE CONTROLLER WITH DEADMAN



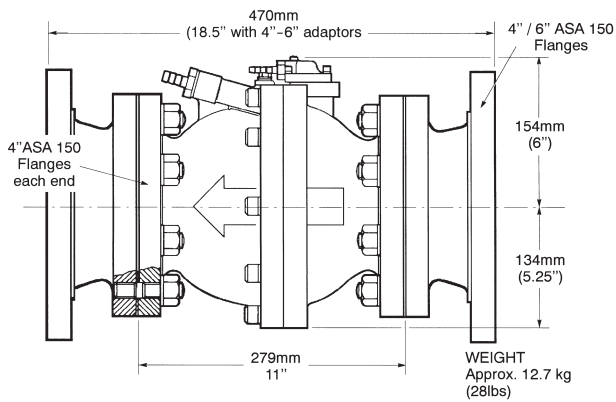
- High flow rates
- Accurate pressure control and low hysteresis
- Low pressure drop
- Excellent stability at all flow rates
- Flanged 4" ASA 150w
- Four-inch to six-inch ASA 150 Adaptors available
- Air referenced
- Controlled opening and closure
- Reliable diaphragm operation

OPERATION

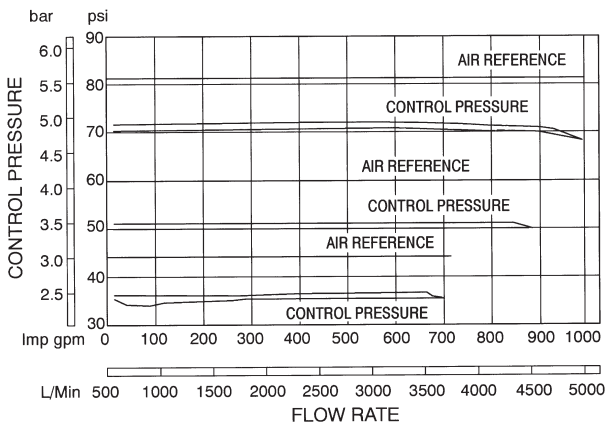
A sliding piston automatically adjusts the pressure drop through the valve by reducing or increasing flow area. The piston is attached via a sealed stem to a diaphragm fitted in a chamber sealed off from the main flow. The diaphragm is exposed on one side to a remotely sensed fuel pressure and on the other side to reference air pressure.

The piston is spring biased to close, thus in the event of diaphragm failure or 'deadman shut off' the valve will always terminate flow.

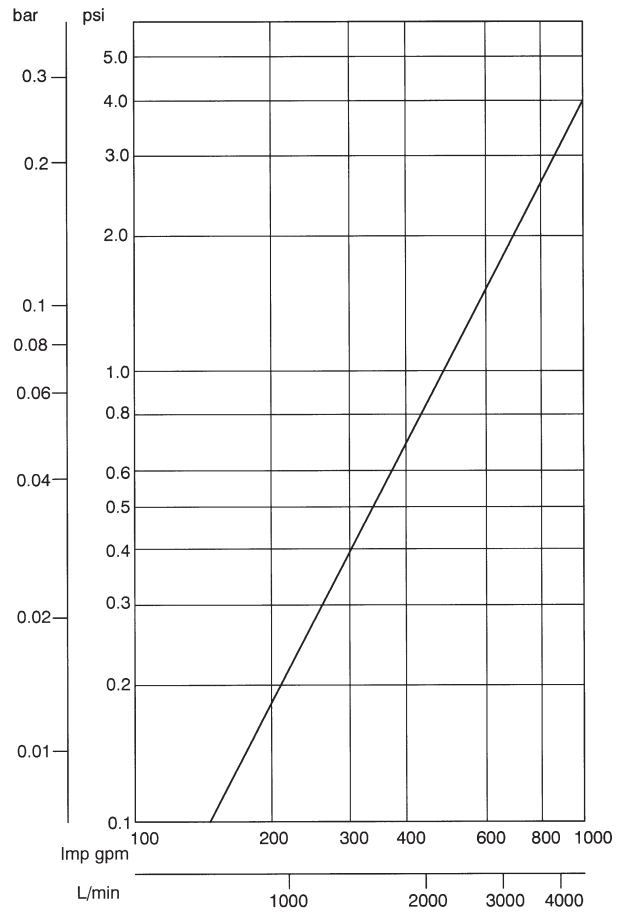
Specifications and dimensions



OPERATING PRESSURE CONTROL



PRESSURE DROP



Pressure Rating Max. Working Pressure
Max. Test Pressure
Max. Flow Rate

12.1 bar (175 psi)
19.0 bar (275 psi)
4500 l/min
1000 Imp.gpm
1200 US gpm

Pressure Drop At Max. Flow Rate

0.28 bar (4 psi)

Pressure Control

± 0.14 bar (2 psi)

Air Reference Bias

0.7-0.8 bar (10-12psi)

DEADMAN

Opening Time Approx.

10.0 seconds (adjustable by

Closing Time Approx.

5.0 seconds fixed orifices)

Overshoot At Max. Flow Rate

190 Litres
42 Imp. gall
50 US gall

Eastern Petroleum Supplies Ltd
New House Farm, Maldon Road
Steeple. UK CM0 7RR

Tel + 44 (0) 1621 773292
Fax + 44 (0) 1621 772353
E-Mail info@easternsupplies.co.uk
Web www.easternsupplies.co.uk

MEGGITT